

# Dimensional Drawing for Candela Display Systems

## IR Touch Overlay Models:

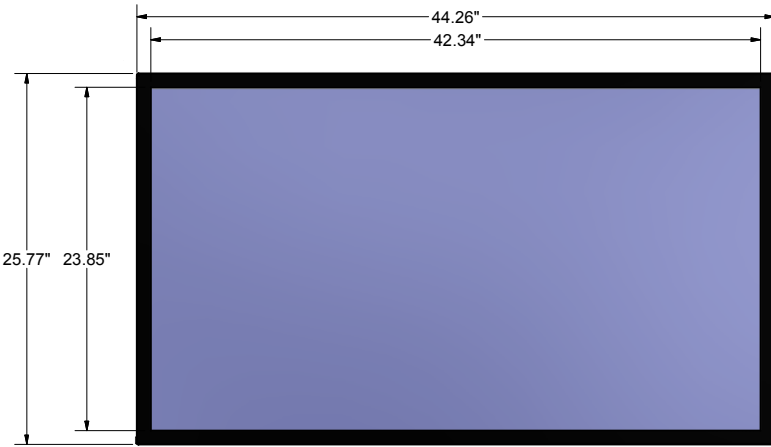
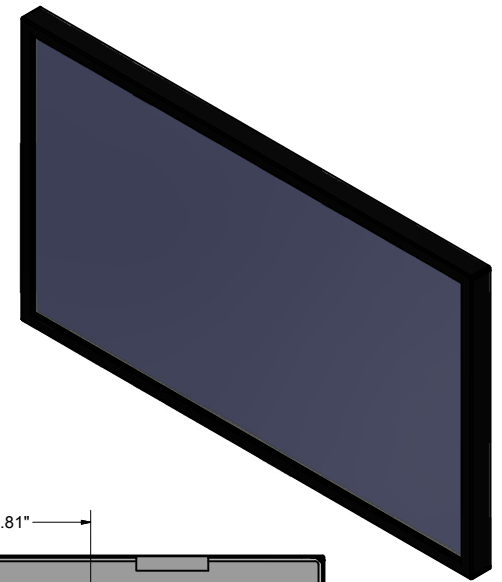
4900-M491-XIR

Based on the NEC M491 Monitor.

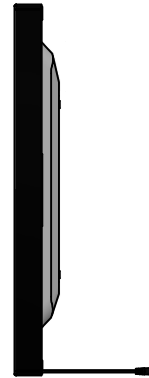


TOP VIEW

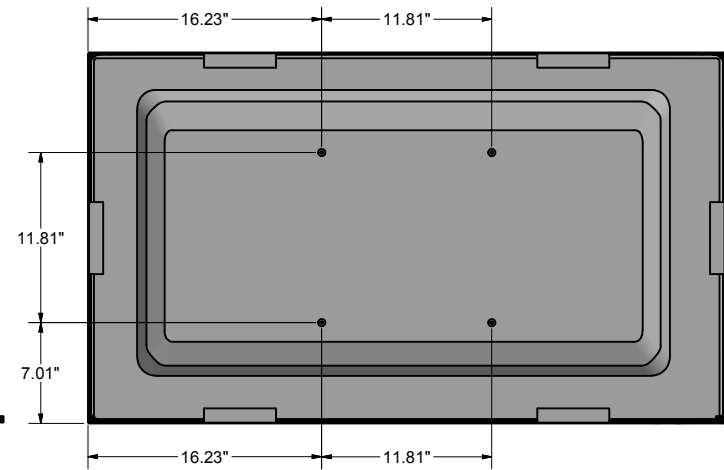
ISO VIEW



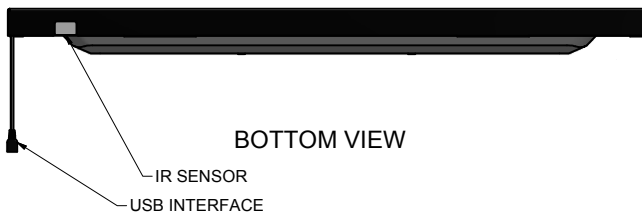
FRONT VIEW



SIDE VIEW



BACK VIEW



BOTTOM VIEW

### NOTES:

- 1) NOT TO SCALE.
- 2) FOR REFERENCE ONLY.
- 3) DIMENSIONS SUBJECT TO CHANGE WITHOUT NOTICE.
- 4) DIMENSIONS IN DECIMAL INCH.



Property of

CANDELA

DISPLAY SYSTEMS LLC

info@candeladisplays.com

(360) 489-1659